

# HIGHLITE 150W

Part nr: 140003

**ELEDGE**  
LIGHTING

## Product information

A cost-effective outdoor lamp with strong UV resistance and anti-corrosion, built for harsh environment. Universal mounting bracket and angle adjustment makes the installation quick and easy. The new hollow design lets the heat upwards and away from the LED light source. The radiator on the backside leads the rainwater away and prevents water accumulation.



## Specifications

|                        |                             |
|------------------------|-----------------------------|
| Voltage                | 230V                        |
| Width x Height x Depth | 252,6 mm x 337 mm x 55,2 mm |
| Brightness             | 21000 lm                    |
| Power                  | 150W                        |
| Efficacy               | 140lm/W ±10                 |
| Colour temperature     | 4000K                       |
| Beam angle             | 90 °                        |
| IP class               | IP67                        |
| IK                     | 09                          |
| CRI                    | >70                         |
| Ambient temperature    | -30°C to + 50°C             |
| LED type               | SMD5050                     |
| Lifetime               | 102.000 hours (L70)         |
| Dimmable               | No                          |
| Gross weight           | 2,16kg                      |
| Certificates           | CE, RoHS                    |
| Warranty               | 5 years                     |

# HIGHLITE 150W

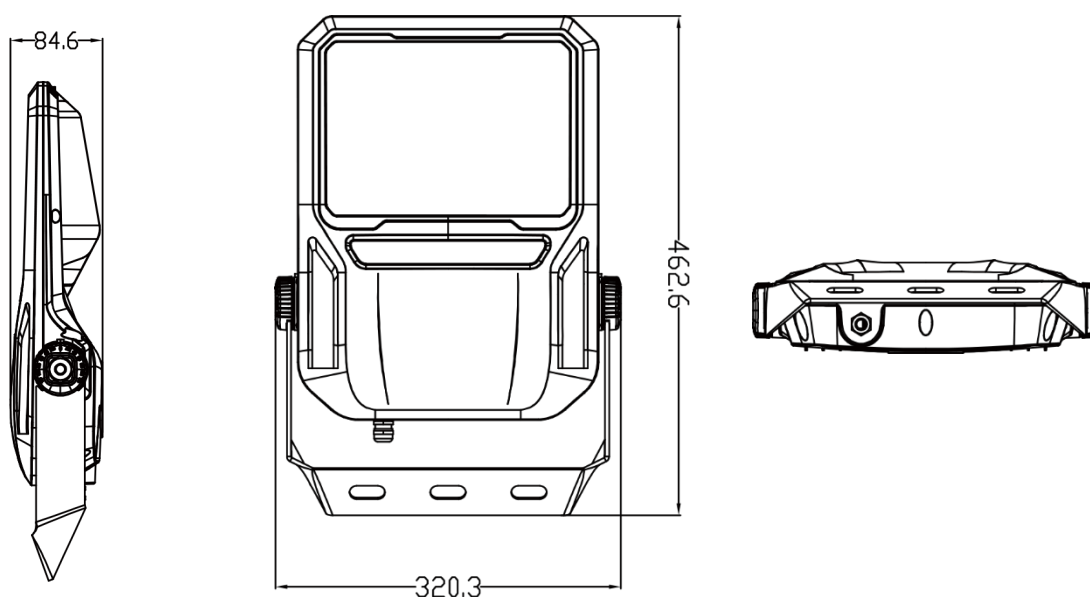
Part nr: 140003

**ELEDGE**  
LIGHTING

## Construction

|                  |                 |
|------------------|-----------------|
| Body material    | Aluminium       |
| Optic material   | Polycarbonate   |
| Lens material    | Toughened glass |
| Bracket material | Galvanized iron |
| Color            | Black           |

## Dimensions



## Photometric diagrams

