



USER MANUAL

LEDLINE TINI 0606R 5M 2700K NEON 24V

PARTNR: 110023

Product information

High light transmission and environmentally friendly silicone material. Vertical bending.

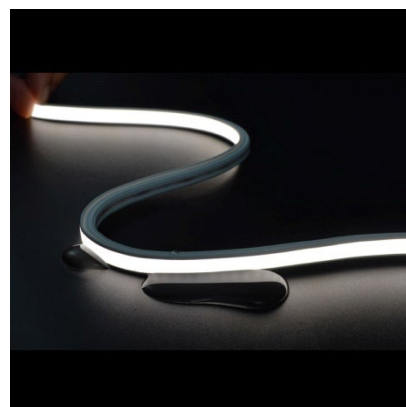
Unique optical light distribution and no shadow.

IP44 protection level, resistance to salt solutions, acids and bases and UV protected.

Solid, simple and stylish appearance.

Equipped with 3-step MacAdam which provides an even and spot-free light.

3-year warranty, lifetime $\geq 30,000$ hours.



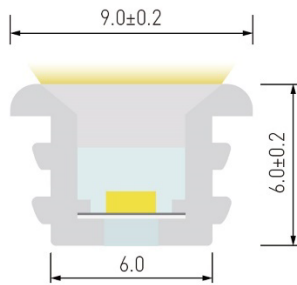
Specifications

Voltage	DC24V
Length	5 meters
Max run length	5M
Width x Height	6mm x 6mm (9mm top)
Unit cut	25 mm
Power	6W/m
Colour temperature	2700K
Lumen	378 lm/m
Beam angle	120°
IP class	IP44
Ambient temperature	-25°C to + 55°C
LED type	Neon, 3-step MacAdam
CRI	>90
Lifetime	>30.000 hours (L70)
Dimmable	Yes
Certificates	CE, RoHS
Warranty	5 years

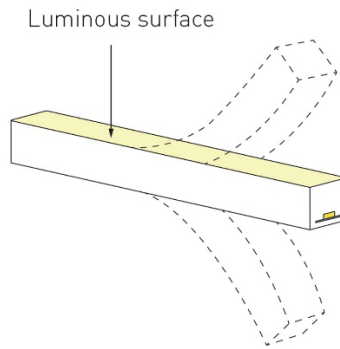


Used electrical and electronic products, including all types of batteries, must be delivered for recycling at a separate collection point. (acc. to directive 2012/19/EU and 2006/66/EC).

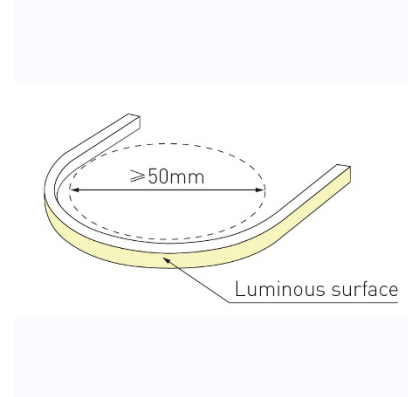
Cross section



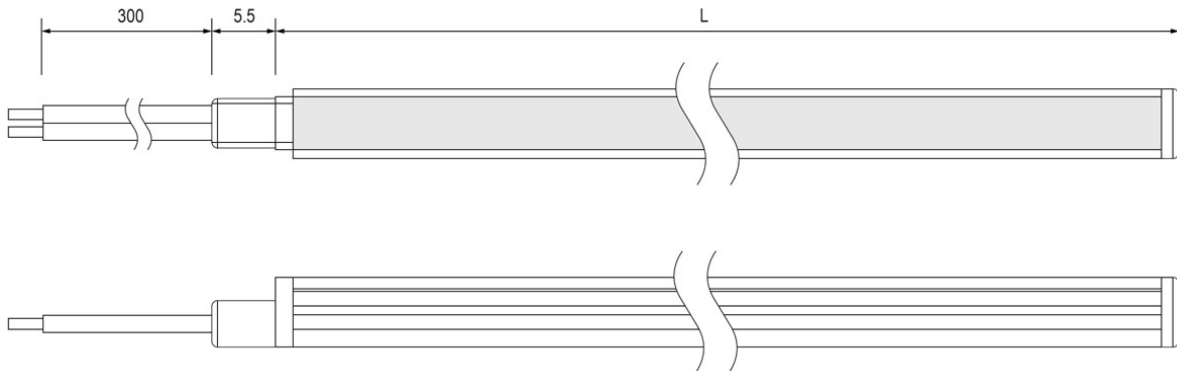
Unit: mm
Cross section



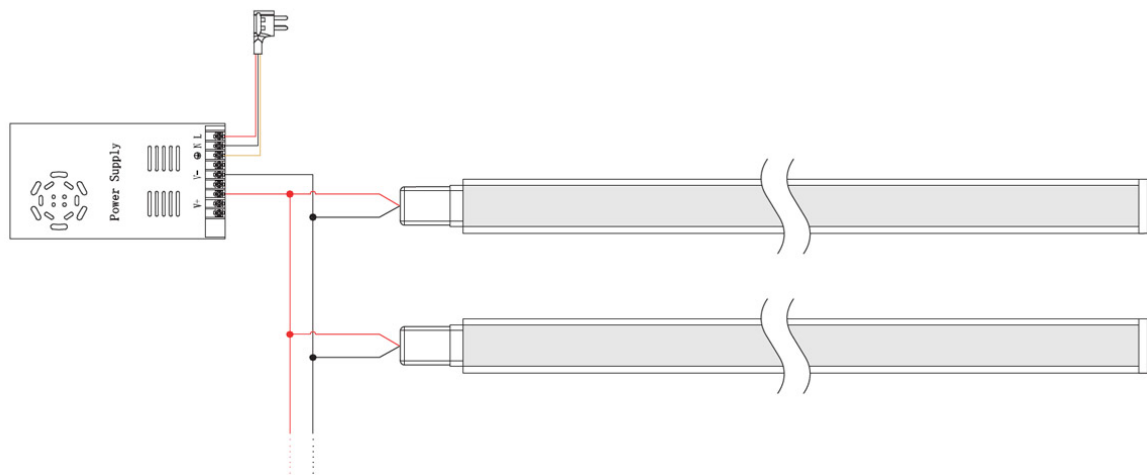
Bend vertical only



Dimension

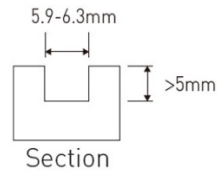


Connection

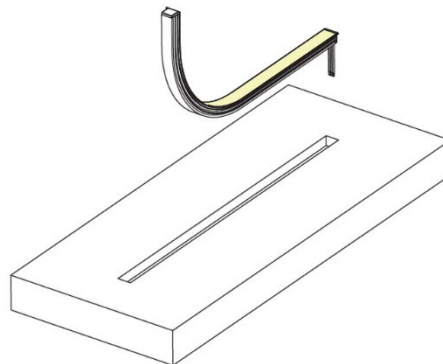


Instructions

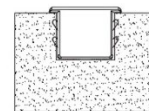
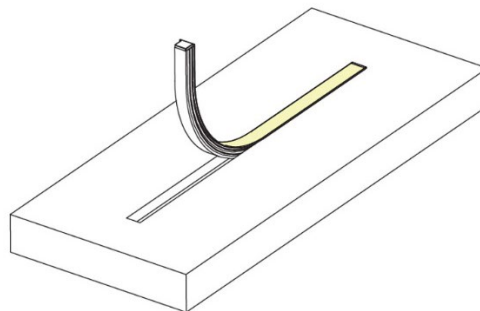
Make grooves and outlet holes according to the dimensions shown in the picture



Pass the cable of the light through the reserved hole as shown in the figure

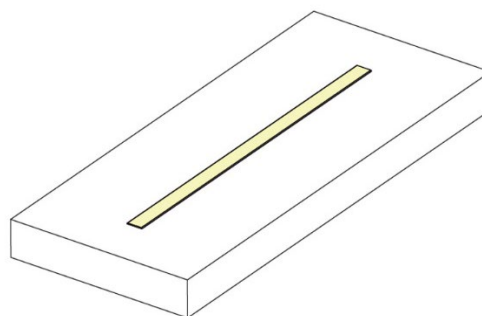


Align the light to the groove, press the glowing surface of the light, and fully embed the light into the groove



Section

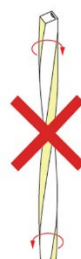
Done!



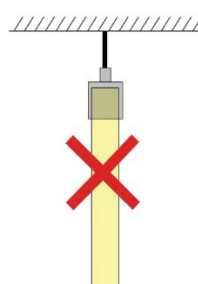
Cut with a straight cut at the cut mark. Use professional tools.



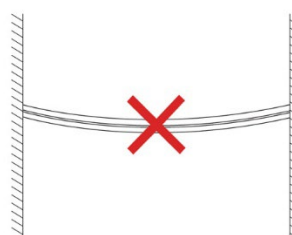
Do not twist the LED-strip



Do not suspend the connection cable



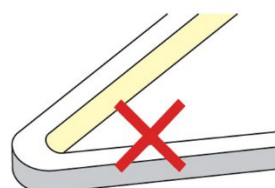
Do not leave the LED-strip hanging in the air



Do not trample on the LED-strip



Do not bend the LED-strip in a small angle



Installation side mounting

Figure 1

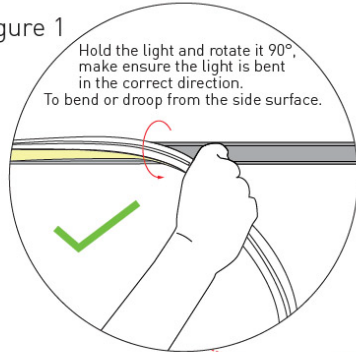
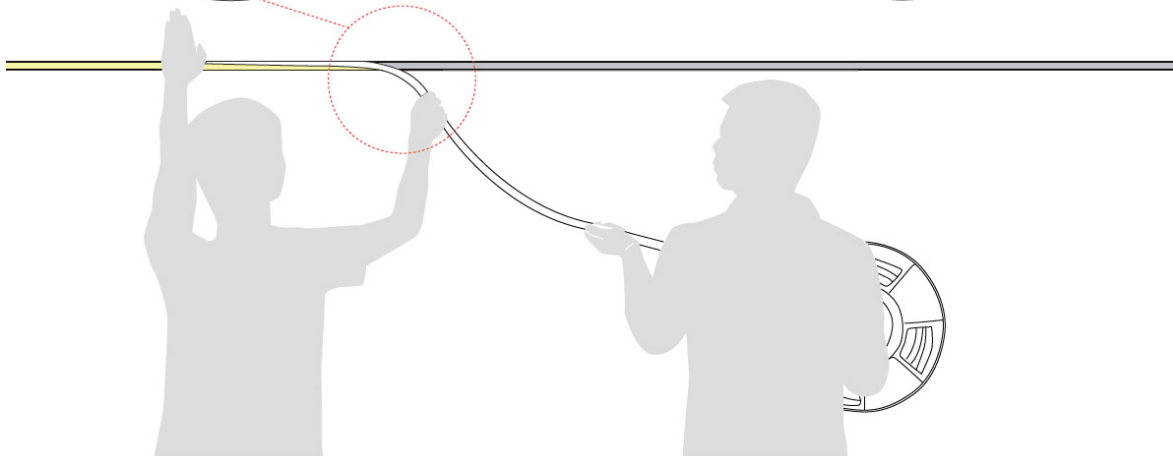
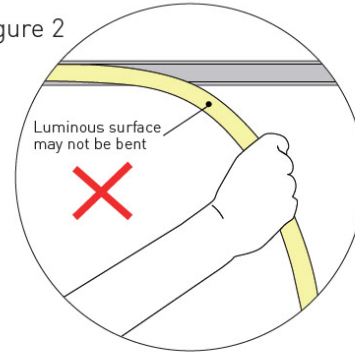


Figure 2



Installasjon top mounting



Figure 1

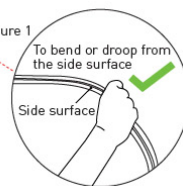


Figure 2

